



FLAVORFUSION™

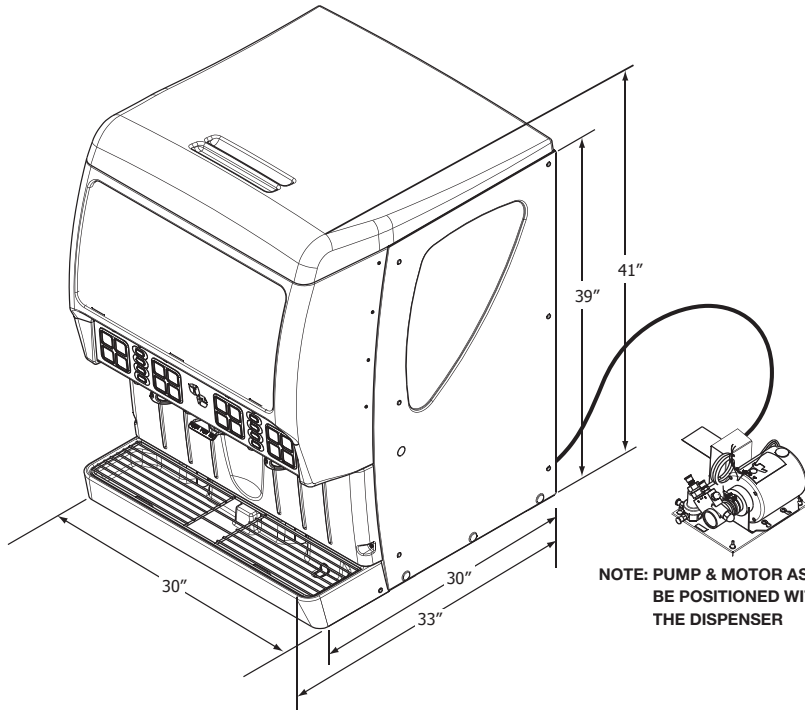
ICE DRINK DISPENSER
WITH FLAVOR SHOT



SHOWN IN OPTIONAL
FUSION GREEN

FEATURES:

- 16 brands in a 30" footprint increases brand density
- Dedicated bonus flavor nozzles can add up to 8 additional flavors for creating a unique drink experience
- Carbonated and plain water flexibility for each dispense brand
- Unit available in Midnight Black. Optional colors include Fusion Green, Orange Dream and Gun Metal Gray
* minimum order required
- Bonus flavor shot flows are easily adjusted
- Maximum adjustability: Flavor shot dispense times and flow rates are easy to adjust
- Cold carbonation provides consistent drink quality



MIDNIGHT BLACK
STANDARD



GUN METAL GRAY
OPTIONAL



ORANGE DREAM
OPTIONAL

PART NUMBER	DESCRIPTION	ELECTRICAL
621057605	FlavorFusion™ - Fusion Green	115 V / 60 Hz
621057607	FlavorFusion™ - Gun Metal Gray	115 V / 60 Hz
621057606	FlavorFusion™ - Orange Dream	115 V / 60 Hz
621057601	FlavorFusion™ - Midnight Black	115 V / 60 Hz

TECHNICAL SPECIFICATIONS:

DIMENSIONS: 41"H x 30"W x 30"D
COUNTER WEIGHT: 320 lb (plus ice weight)
SHIPPING WEIGHT: 365 lb
CAPACITY: 255 lb ice bin capacity for cubed & chunklet (compressed) ice
AMP DRAW: 120 V / 60 Hz / 9.3 Amps
ELECTRICAL RATING: 115 V +/- 15%
WATER SUPPLY PRESSURE: 50-60 psi at pump
CO₂: 75 psi at carbonator tank

SYRUP (BRANDS): 60 psi/min
SYRUP (BONUS): 20-25 psi/max
VALVE OPTIONS: 16 push button
 2-4 oz/sec valves
CUP CLEARANCE: 10"
STANDARD FEATURES: 4" legs, timed agitation, beverage keyswitch
AGENCY LISTINGS PENDING APPROVAL:



City of New York
City of Los Angeles

